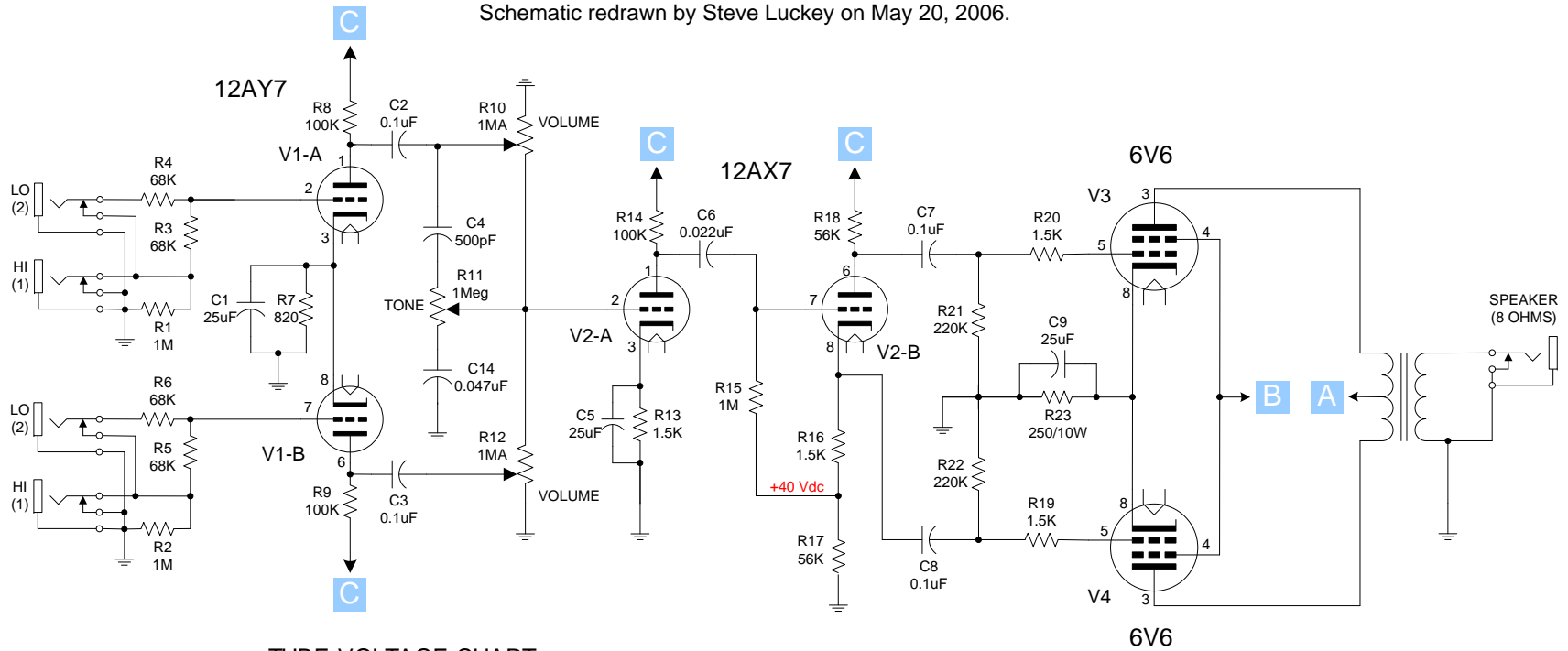


FENDER TWEED DELUXE (5E3)

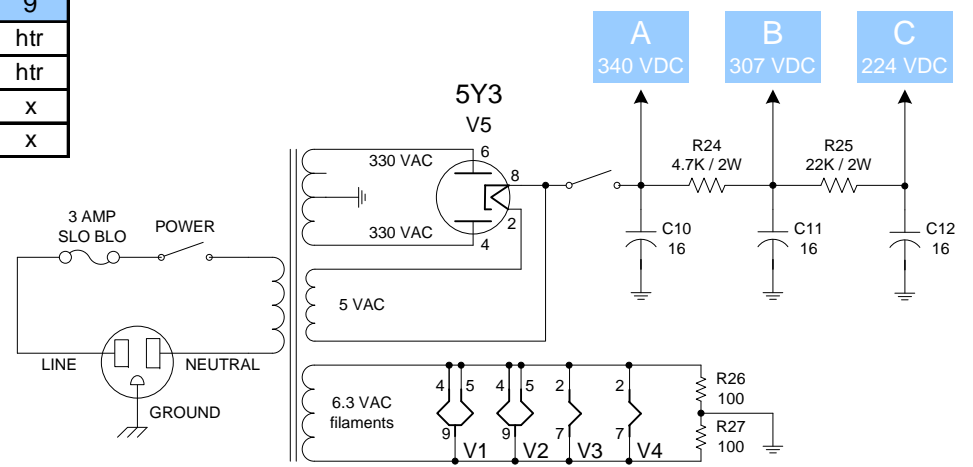
Schematic redrawn by Steve Luckey on May 20, 2006.



TUBE VOLTAGE CHART

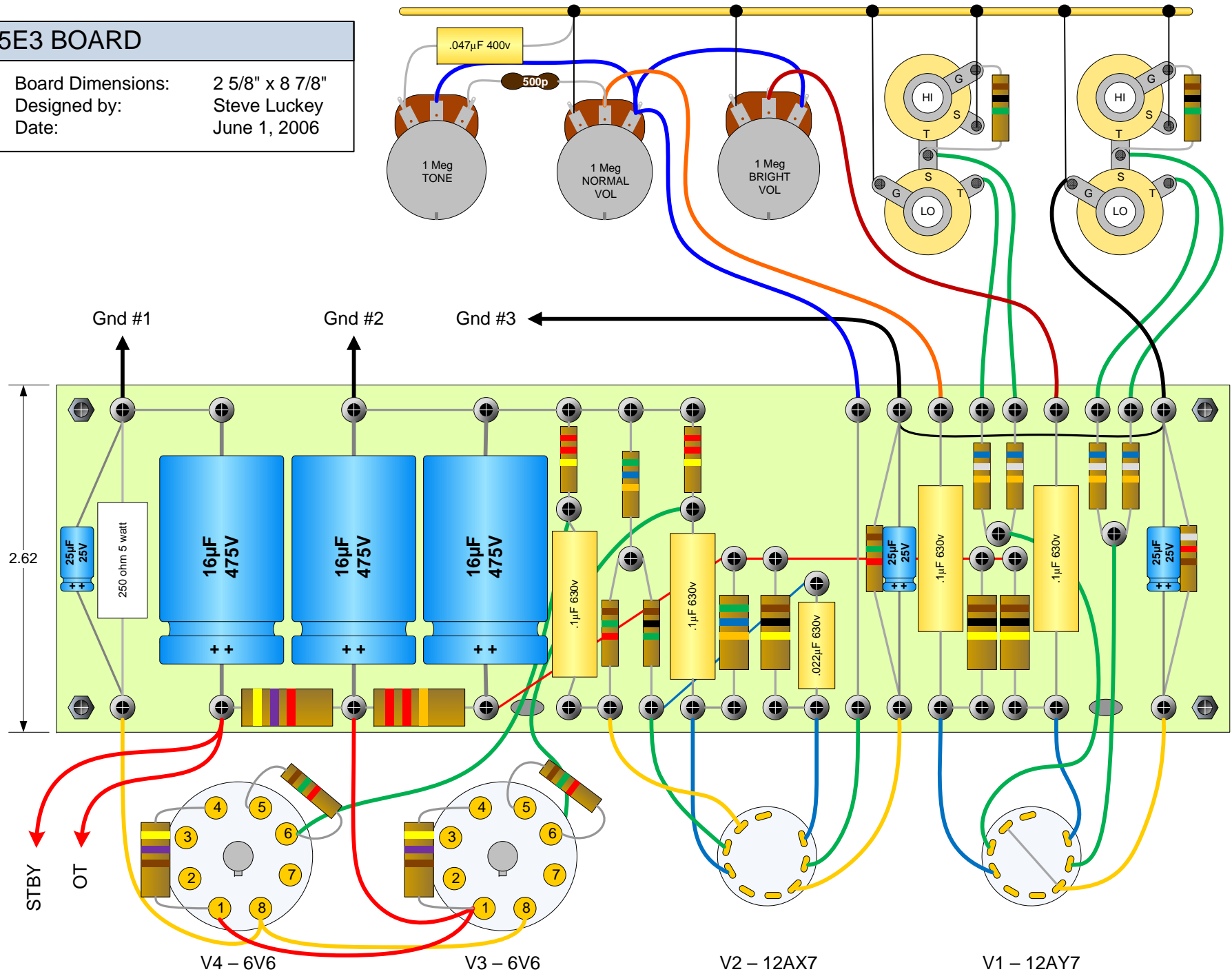
	1	2	3	4	5	6	7	8	9
V1	111	0	1.9	htr	htr	112	0	1.9	htr
V2	146	0	1.1	htr	htr	182	15	41	htr
V3	nu	htr	335	309	0	nu	htr	18	x
V4	nu	htr	336	309	0	nu	htr	18	x

Measured with Fluke 87 III DMM. All controls max CCW.



5E3 BOARD

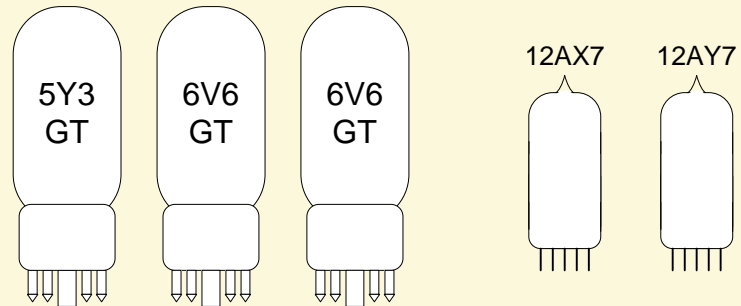
Board Dimensions: 2 5/8" x 8 7/8"
Designed by: Steve Luckey
Date: June 1, 2006



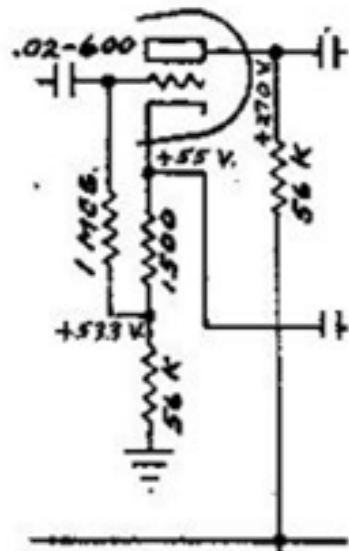
Model "FENDER DELUXE, 5E3"

Built by STEVE LUCKEY
Production SERIAL NUMBER 1
Date JUNE 2, 2006

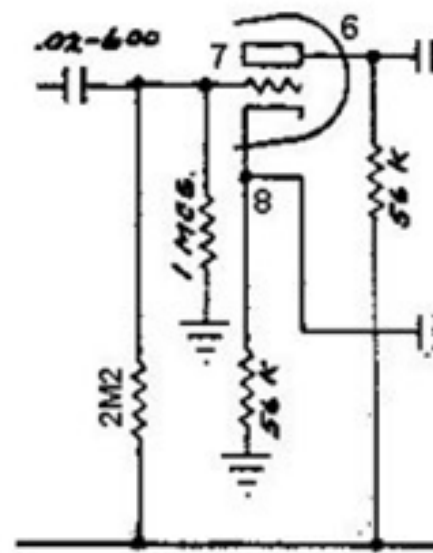
Tube locations left to right at rear



ORIGINAL 5E3 / 5E7



PaulC Mod 5E3 / 5E7



drawn by sk, 08Jan03